

# Starlite® 230 Volt Hot Surface Igniter



## DESCRIPTION:

Starlite hot surface igniters are manufactured of high purity, self-bonded silicon carbide.

The hot section is formed to maximize strength and extend working life.

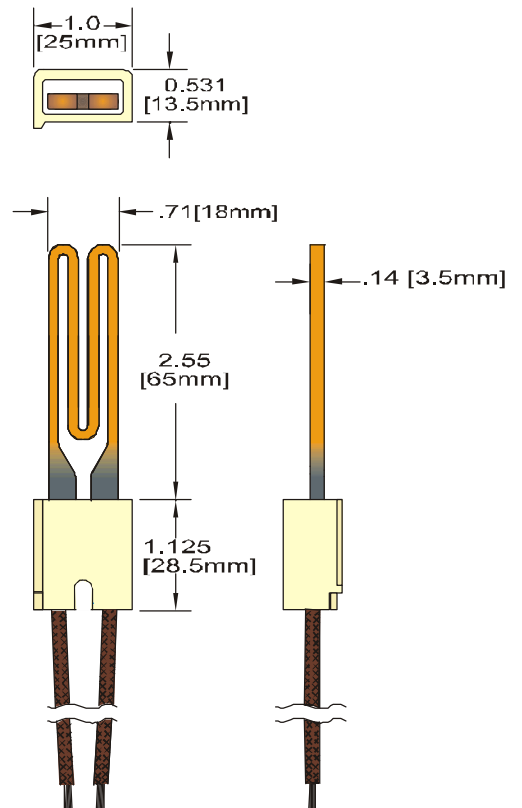
The igniters operate on 208 or 230 Volts.

## APPLICATIONS:

- For use in furnaces, boilers, space and water heaters, clothes dryers & other applications.
- For intermittent use in a wide extent of gas/air mixtures.

## FEATURES AND BENEFITS:

- Strongest silicon carbide igniter available.
- Custom engineered electrical/temperature specifications (see below).
- Shock mount, custom bushings, terminations and lead lengths available.



## PHYSICAL CHARACTERISTICS

Time to 1800°F (982°C) @ 207V	As specified: 20, 30, or 60 seconds available.
Ampere range @ 230 V	1.8 - 4.5 Amps (custom limits within this range are optional).
Temperature range @ 230V	2200-2800°F (1204-1537°C) (Customer defined limits in this range are optional).
Bushing Material	Standard industry and custom configurations are available in steatite.
Termination	Industry standard as well as custom connections are available.
Lead wires	Standard 200C wire (or as specified) in customer defined lengths.
Agency Approval	CSA approved.

12600 Clarence Center Road, Akron, NY USA 14001-0390 Phone(716) 542-5511 Fax(716) 542-2100